



**VSP MIKRON**

**AMS1117S-XX**

### DESCRIPTION

The AMS1117S series of positive adjustable and fixed regulators are designed to provide 1A with high efficiency. All internal circuitry is designed to operate down to 1.3V input to output differential. On-chip trimming adjusts the reference voltage to 1%.

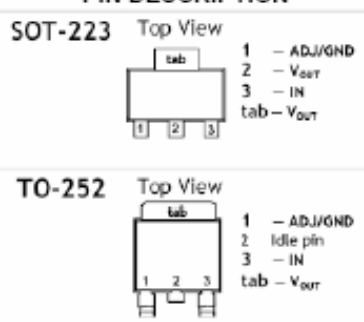
### APPLICATIONS

- High Efficiency Linear Regulators
- Post Regulators for Switching Supplies
- Adjustable Power Supply

### FEATURES

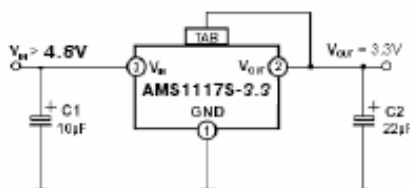
- Adjustable or Fixed Output
- Output Current of 1A
- Low Dropout, 1.5V max at 1A Output Current
- 0.04% Line Regulation
- 0.2 % Load Regulation
- 100% Thermal Limit Burn-In
- Fast Transient Response

### PIN DESCRIPTION

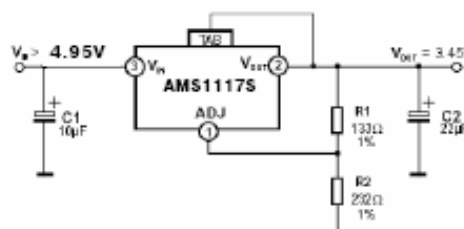


### TYPICAL APPLICATION DATA

#### FIXED VOLTAGE REGULATOR



#### ADJUSTABLE VOLTAGE REGULATOR

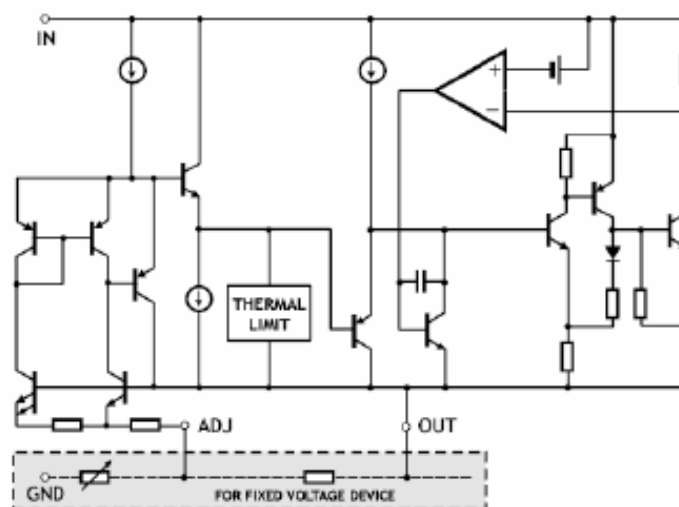


#### NOTES:

- C1 needed if device is far from filter capacitors
- C2 minimum value required for stability

$$V_{out} = V_{ADJ} \times \left(1 + \frac{R2}{R1}\right) + I_{out} \times R2$$

### BLOCK DIAGRAM



# 1A Low Dropout positive voltage regulator



**VSP MIKRON**

**AMS1117S-XX**

## ABSOLUTE MAXIMUM RATINGS

SYMBOL	PARAMETER	VALUE	UNIT
$V_{CC}$	Power Dissipation	Internally Limited	W
$V_{IN}$	Input Voltage	15	V
$T_J$	Operation Junction Temperature Range		°C
		Control Section	
		Power Transistor	0 to 150
$T_{STG}$	Storage Temperature Range	-65 to +150	°C
$T_{LEAD}$	Lead Temperature (Soldering 10 sec)	300	°C

## ELECTRICAL CHARACTERISTICS

$I_{LOAD} = 0mA$  and  $T_J = +25^{\circ}C$  (unless otherwise noted)

PARAMETER	DEVICE	TEST CONDITIONS	MIN	TYP	MAX	UNIT	
Reference Voltage Note 1	AMS1117S	$V_{IN} = 5V, I_{LOAD} = 10mA$		1.238	1.250	1.262	V
		$V_{IN} - V_{OUT} = 1.5V$ to 10V, $I_{LOAD} = 10mA$ to 1A	*	1.225	1.250	1.275	
Output Voltage Note 1	All fixed versions	$V_{IN} - V_{OUT} = 1.5V$ , Variator from nominal $V_{OUT}$		-1	-	+1	%
		$V_{IN} - V_{OUT} = 1.5V$ to 10V $I_{LOAD} = 0mA$ to 1A, Variator from nominal $V_{OUT}$	*	-2	-	+2	
Line Regulation Note 1	All	$I_{LOAD} = 10mA$ , $V_{IN} - V_{OUT} = 1.5V$ to 10V	*	-	0.04	0.20	%
Load Regulation Note 1	All	$V_{IN} - V_{OUT} = 1.5V$ $I_{LOAD} = 10mA$ to 1A	*	-	0.2	0.40	
Minimum Load Current	AMS1117S	$V_{IN} = 5V, V_{ADJ} = 0V$	*	-	3	7	mA
Ground Pin Current	All fixed versions	$V_{IN} - V_{OUT} = 1.5V$ $I_{LOAD} = 10mA$ to 1A	*	-	7	10	mA
Adjust Pin Current	AMS1117S	$V_{IN} - V_{OUT} = 1.5V$ to 10V $I_{LOAD} = 10mA$	*	-	40	90	μA
Current Limit	All	$V_{IN} - V_{OUT} = 1.5V$	*	1	1.4	-	A
Ripple Rejection Note 2	All	$V_{IN} - V_{OUT} = 3V$ $I_{LOAD} = 1A$	*	60	65	-	dB
Dropout Voltage Note 1,3	All	$I_{LOAD} = 1A$	*	-	1.3	1.5	V
Temperature Coefficient	All	$V_{IN} - V_{OUT} = 1.5V$ , $I_{LOAD} = 10mA$	*	-	0.005	-	%/°C

The \* denotes the specifications which apply over the full temperature range (see previous table,  $T_J$ )

### NOTES:

- 1: Low duty pulse testing with Kelvin connections required.
- 2: 120Hz input ripple ( $C_{ADJ}$  for ADJ = 25μF,  $C_{OUT}$  = 25μF)
- 3:  $\Delta V_{OUT}, \Delta V_{REF} = 1\%$



### APPLICATION INFORMATION

The AMS1117S series of adjustable and fixed regulators are easy to use and have all the protection features expected in high performance voltage regulators: short circuit protection and thermal shut-down.

Pin compatible with older three terminal adjustable regulators, these devices offer the advantage of a lower dropout voltage, more precise reference tolerance and improved reference stability with temperature.

### STABILITY

The circuit design used in the AMS1117S series requires the use of an output capacitor as part of the device frequency compensation.

The addition of 150µF aluminum electrolytic or a 22µF solid tantalum on the output will ensure stability for all operating conditions.

When the adjustment terminal is bypassed with a capacitor to improve the ripple rejection, the requirement for an output capacitor increases. The value of 22µF tantalum or 150µF aluminum covers all cases of bypassing the adjustment terminal. Without bypassing the adjustment terminal smaller capacitors can be used with equally good results.

To ensure good transient response with heavy load current changes capacitor values on the order of 100µF are used in the output of many regulators. To further improve stability and transient response of these devices larger values of output capacitor can be used.

### PROTECTION DIODES

Unlike older regulators, the AMS1117S family does not need any protection diodes between the adjustment pin and the output and from the output to the input to prevent over-stressing the die.

Internal resistors are limiting the internal current paths on the AMS1117S adjustment pin, therefore even with capacitors on the adjustment pin no protection diode is needed to ensure device safety under short-circuit conditions.

Diodes between the input and output are not usually needed.

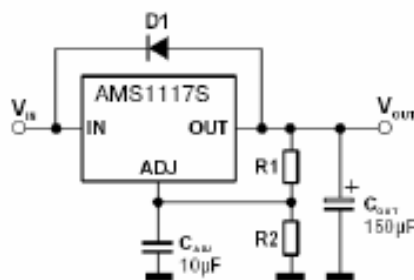
Microsecond surge currents of 50A to 100A can be handled by the internal diode between the input and output pins of the device. In normal operations it is difficult to get those values of surge currents even with the use of large output capacitances. If high value output capacitors are used, such as 1000µF to 5000µF and the input pin is instantaneously shorted to ground, damage can occur. A diode from output to input is recommended, when a crowbar circuit at the input of the AMS1117S is used. Normal power supply cycling or even plugging and unplugging in the system will not generate current large enough to do any damage.

The adjustment pin can be driven on a transient basis ±25V, with respect to the output without any device degradation. As with any IC regulator, none the protection circuitry will be functional and the internal transistors will break down if the maximum input to output voltage differential is exceeded.

### RIPPLE REJECTION

The ripple rejection values are measured with the adjustment pin bypassed. The impedance of the adjust pin capacitor at the ripple frequency should be less than the value of R1 (normally 100Ω to 120Ω) for a proper bypassing and ripple rejection approaching the values shown. The size of the required adjust pin capacitor of the input ripple frequency. If R1=100Ω at 120Hz the adjust pin capacitor should be 25µF. At 10kHz only 0.22µF is needed.

The ripple rejection will be a function of output voltage, in circuits without an adjust pin bypass capacitor. The output ripple will increase directly as a ratio of the output voltage to the reference voltage ( $V_{OUT} / V_{REF}$ ).



# 1A Low Dropout positive voltage regulator

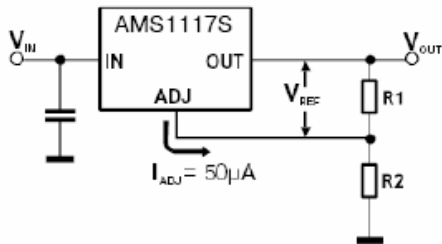


**VSP MIKRON**

**AMS1117S-XX**

## OUTPUT VOLTAGE

The AMS1117S series develops a 1.25V reference voltage between the output and the adjust terminal. Placing a resistor between these two terminals causes a constant current to flow through R1 and down through R2 to set the overall output voltage.

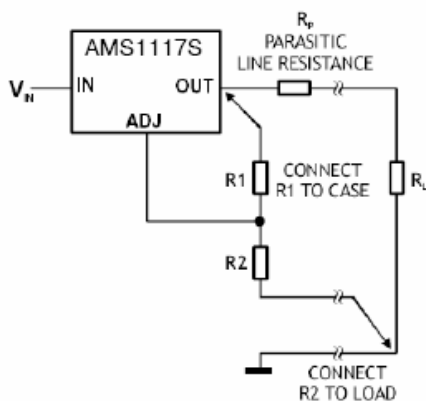


This current is normally the specified minimum load current of 10mA. Because  $I_{ADJ}$  is very small and constant it represents a small error and it can usually be ignored.

## LOAD REGULATION

True remote load sensing it is not possible to provide, because the AMS1117S is a three terminal device. The resistance of the wire connecting the regulator to the load will limit the load regulation.

The data sheet specification for load regulation is measured at the bottom of the package. Negative side sensing is a true Kelvin connection, with the bottom of the output divider returned to the negative side of the load.



The best load regulation is obtained when the top of the resistor divider R1 is connected directly to the case not to the load. If R1 were connected to the load, the effective resistance between the regulator and the load would be:

$$\frac{R_p \times (R_2 + R_1)}{R_1}, \quad R_p = \text{Parasitic Line Resistance}$$

Connected as shown above,  $R_p$  is not multiplied by the divider ratio. Using 16-gauge wire the parasitic line resistance is about 0.004Ω per foot, translating to 4mV/ft at 1A load current. It is important to keep the positive lead between regulator and load as short as possible and use large wire or PC board traces.

## THERMAL CONSIDERATIONS

The AMS1117S series have internal power and thermal limiting circuitry designed to protect the device under overload conditions. However maximum junction temperature ratings should not be exceeded under continuous normal load conditions.

Careful consideration must be given to all sources of thermal resistance from junction to ambient, including junction-to-case, case-to-heat sink interface and heat sink resistance itself. To ensure safe operating temperatures and reflect more accurately the device temperature, new thermal resistance specifications have been developed. Unlike older regulators with a single junction-to-case thermal resistance specification, the data section for these new regulators provides a separate thermal resistance and maximum junction temperature for both the Control Section and the Power Transistor. Calculations for both temperatures under certain conditions of ambient temperature and heat sink resistance and to ensure that both thermal limits are met.

Junction-to-case thermal resistance is specified from the IC junction to the bottom of the case directly below the die. This is the lowest resistance path for the heat flow. In order to ensure the best possible thermal flow from this area of the package to the heat sink proper mounting is required. Thermal compound at the case-to-heat sink interface is recommended. A thermally conductive spacer can be used, if the case of the device must be electrically isolated, but its added contribution to thermal resistance has to be considered.

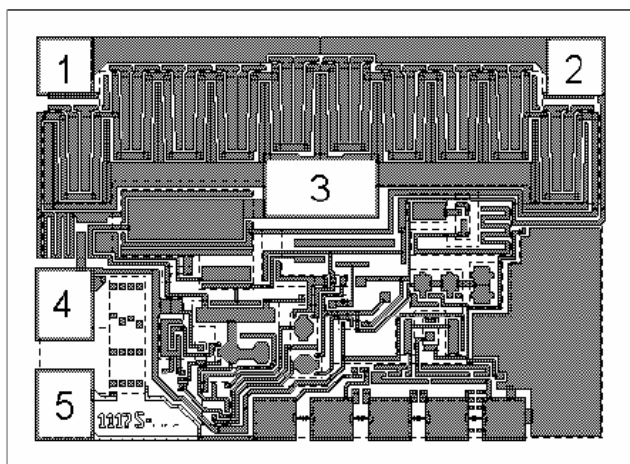
# 1A Low Dropout positive voltage regulator



**VSP MIKRON**

**AMS1117S-XX**

## PAD LOCATION



Chip Size: 1.31 x 0.96 mm<sup>2</sup>

Wafer Thickness: 460±30µm (or 350±30µm, 280±30µm)

Top metal: AlSi

Backside metal: - (or Ti-Ni (V)-Ag)

Wafer size: 100 mm

## PAD LOCATION COORDINATES

Pad N	Pad Name	Pad Opening Size (µm)	Pad Center Coordinates, µm	
			X	Y
1	OUTPUT	104*104	120	840
2	OUTPUT	104*104	1190	840
3	Input (Double Bond Pad)	224*104	655	585
4	OUTPUT	104*134	120	345
5	Adjust (for AMS1117S) GND (for AMS1117S-XX)	104*134	120	135