
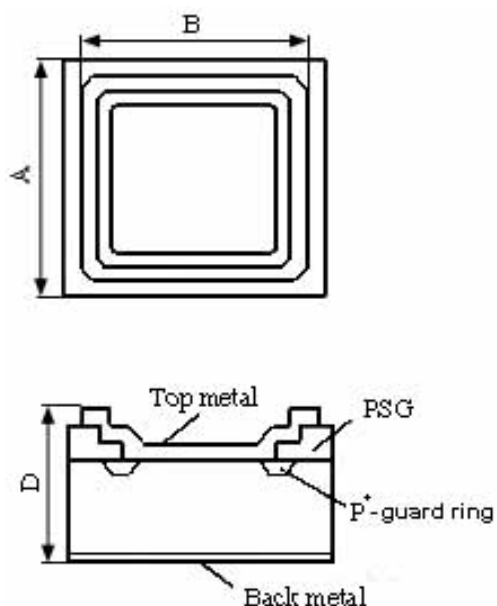


SCHOTTKY DIODES KDS 2128E. PRELIMINARY



Rev.1. Feb. 2010

 VSP-MIKRON	1A/25V. Die Size-39mil.			
Electrical Characteristics	Symbol	Unit	Spec. limit	Die Sort
Breakdown Voltage @ $I_R=10mA$	V_{BR}	V	28	31
Average Rectified Forward Current	$I_{F(AV)}$	A	1,0	-
DC Forward Voltage @ 25°C, $I_F=1,0A$	V_F	V	0,37	0,35 (0.34-typ)
Maximum Reverse Current @ 25°C, $V_R=25V$ 25°C, $V_R=28V$ 100°C, $V_R=25V$	I_R	mA	0,50 - 15,0	0,40 0,50 15,0
Peak Forward Surge Current 8,3ms single half sine-wave superimposed on rated load (JEDEC METHOD)	I_{FSM}	A	40	-
Peak Repetitive Reverse Surge Current @2,0µs, f=1kHz., $T_J<125°C$.	I_{RRM}	A	1,5	
Electrostatic Discharge Voltage. JEDEC Method. ESD HBM. Contact.	ESD	kV	±8 (contact)	
Voltage Rate of Change	dV/dt	V/µS	10.000	
Operating Junction Temperature	T_J	°C	125	



DIM	ITEM	µm
A_x A_y	Wafer Form Die Size	1000 1000
B_x B_y	Top Metal Size	820 820
D	Thickness	300max.
Scribe line Width		80

Top metal: a) **Al** – for Wire Bonding;
b) **Al-Ni-Ag** – for Soldering.
Backside metal: **Ti-Ni-Ag**.